

**Sabi kensa**

# Pit Gauge - PG 150

Catalogue



# Introductions



The PG 150 is the most advanced pit gauge of this company. It is a high precision instrument and one of the most sensitive and stable pit gauges in the world.

A lot of efforts have been put into making this new product which is specially suitable for pit and dent measurements. The performance of this device is almost unaffected by the worst environmental conditions.

This Pit Gauge is a simple tool for measuring pits, dents and gouges. This modular tool kit consists of precision CNC machined high grade aluminum alloy components with a durable and wear resistance coating. Assembly is fast, easy, and does not require any tools. Both Standard and Premium kits come with magnetic arms to hold the gauge to ferrous materials.

# List of Parts



Center Base – PGCB150



Extension Arm – PGEA180



Corner Base – PGCO90



Magnetic Arm – PGMA100



Digital Indicator – DIM543



Carrying Case – CCPT44



Indicator Tip – ITM543



Carrying Bag – CBR230

# Types and Specifications

## Pit Gauge - PG150 - Basic

	Part Name	Part Number	Qty.	Specifications
1	Center Base	PGCB150	1	High Grade Aluminium Alloy - 150 x 18 x 38 mm
2	Digital Indicator	DIM543	1	Mitutoyo Dial Indicator 0.5" (12.5 mm) Stroke
3	Indicator Tip	ITM543	1	Stainless Steel Needle
4	Carrying Bag	CBR230	1	Soft Bag - 230 x 170 x 65 mm



# Types and Specifications

Pit Gauge - PG150 - Standard				
	Part Name	Part Number	Qty.	Specifications
1	Center Base	PGCB150	1	High Grade Aluminium Alloy - 150 x 18 x 38 mm
2	Extension Arm	PGEA180	2	High Grade Aluminium Alloy - 180 x 18 x 38 mm
3	Magnetic Arm	PGMA100	2	High Grade Aluminium Alloy - 102 x 18 x 38 mm
4	Corner Base	PGCO90	1	High Grade Aluminium Alloy - 88.5 x 18 x 38 mm
5	Digital Indicator	DIM543	1	Mitutoyo Dial Indicator 0.5" (12.5 mm) Stroke
6	Indicator Tip	ITM543	1	Stainless Steel Needle
7	Carrying Case	CCPT44	1	Hard Case - 430 x 370 x 140 mm



# Types and Specifications

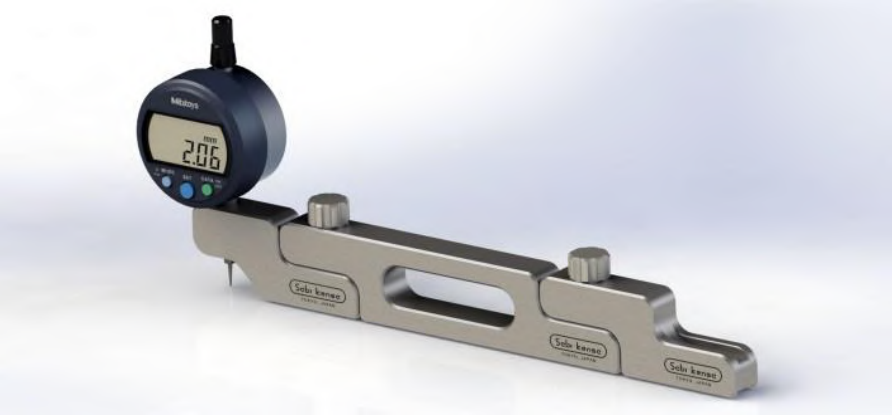
Pit Gauge - PG150 - Premium				
	Part Name	Part Number	Qty.	Specifications
1	Center Base	PGCB150	1	High Grade Aluminium Alloy - 150 x 18 x 38 mm
2	Extension Arm	PGEA180	4	High Grade Aluminium Alloy - 180 x 18 x 38 mm
3	Magnetic Arm	PGMA100	2	High Grade Aluminium Alloy - 102 x 18 x 38 mm
4	Corner Base	PGCO90	1	High Grade Aluminium Alloy - 88.5 x 18 x 38 mm
5	Digital Indicator	DIM543	1	Mitutoyo Dial Indicator 0.5" (12.5 mm) Stroke
6	Indicator Tip	ITM543	1	Stainless Steel Needle
7	Carrying Case	CCPT44	1	Hard Case - 430 x 370 x 140 mm



## Assembly Examples

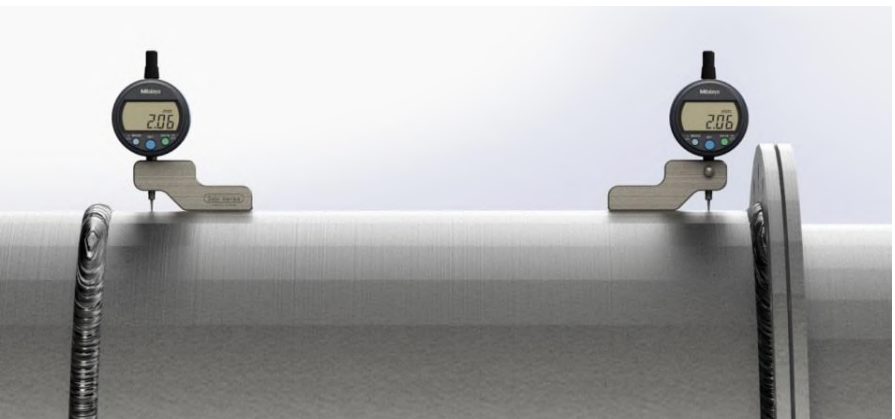
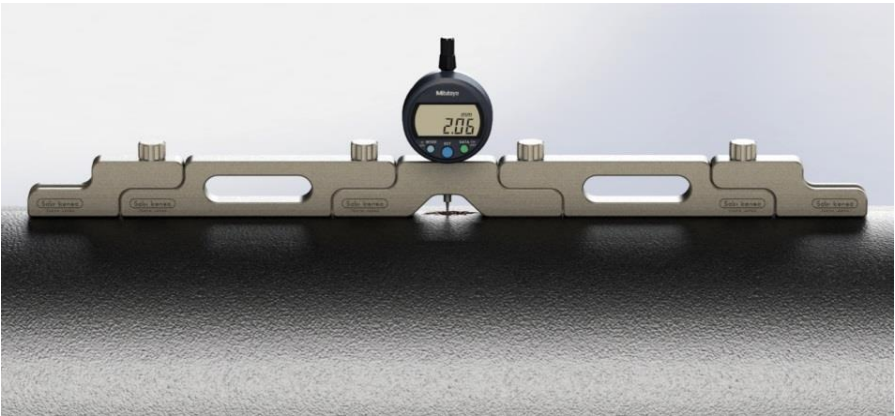
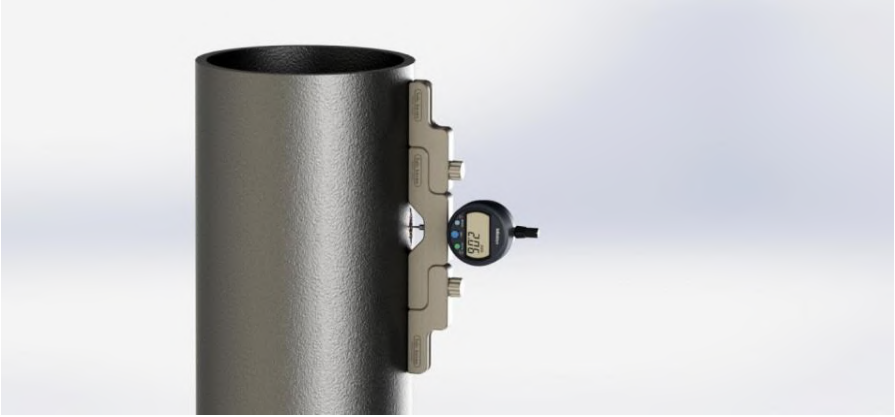


## Assembly Examples





## Assembly Examples





© Sabi Kensa Company Limited  
Tokyo, Japan  
[www.sabikensa.com](http://www.sabikensa.com)