



Caliper

S_Cal EVO

DESCRIPTION

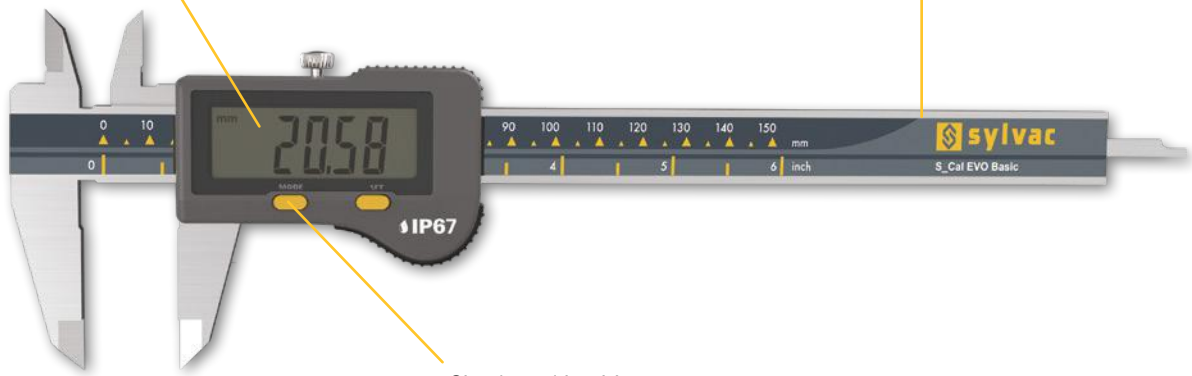
BASIC

- High-quality, ergonomic calliper without data output
- 3.5 mm thick hardened and ground stainless steel frame
- New extra-large display unit with 11.5 mm high digits
- Memorising the home position even when the instrument is switched off
- Available in the following executions :
 - Measuring range 150 mm with rectangular depth rod
 - Measuring range 150 mm with cylindrical depth rod
 - Measuring range 200 mm with rectangular depth rod
 - Measuring range 300 mm without depth rod
- Protection class IP67
- Wheel available as an option

C

Digital display LCD,
Height of digits 11.5 mm

Thickness of frame 3.5 mm



Simple and intuitive
functions

ISO 13385-1

NO OUTPUT

SIS Smart Inductive System

WATER RESISTANT

IP67

Protection rating IP67 !

* SIS description on page 5

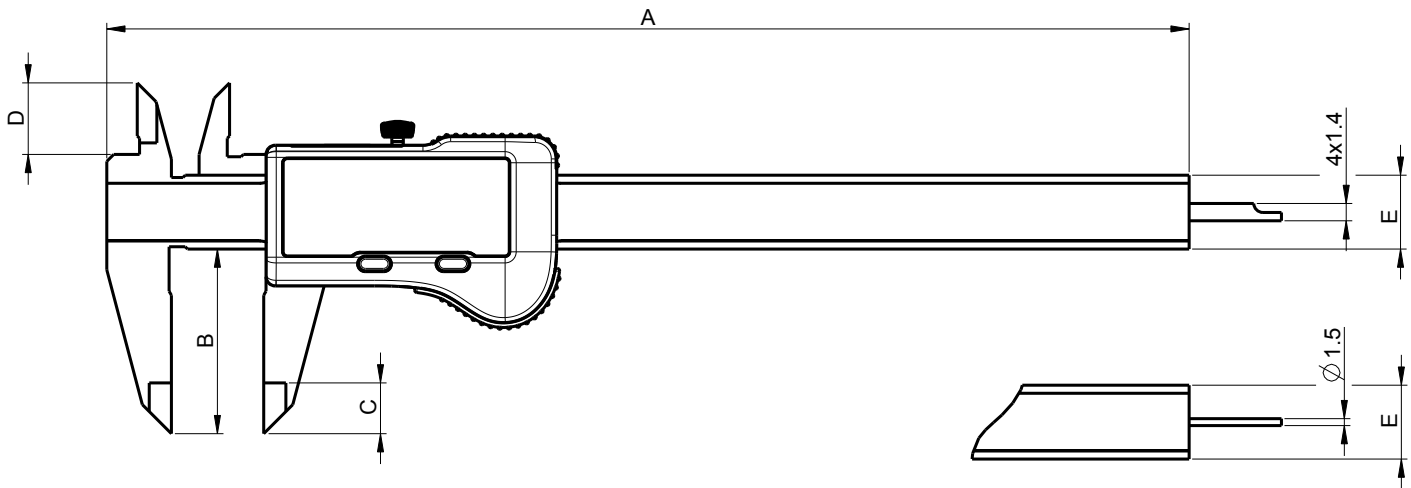


Caliper

S_Cal EVO

DIMENSIONAL DRAWING

BASIC



TECHNICAL SPECIFICATIONS

		810-1502	810-1507	810-1522	810-1532
Measuring range	mm	150	150	200	300
Max. Error G - external measurements	µm	20 ¹⁾	20 ¹⁾	30 ¹⁾	30 ¹⁾
Max. Error - internal measurements	µm	20-30 ²⁾	20-30 ²⁾	30 ²⁾	40 ²⁾
A	mm	234.5	234.5	290.5	388
B	mm	40	40	50	64
C	mm	11	11	14	14
D	mm	16	16	19	19
E	mm	16 x 3.5	16 x 3.5	16 x 3.5	16 x 4
Depth rod	mm	— 4 x 1.4	Ø 1.5	— 4 x 1.4	---
Protection rating according to IEC 60529	IP67				
Functions	Zero setting, Preset (max 999.99), mm/inch, Hold				
Smart Inductive Sensor	●				

¹⁾ 0-150 mm : 20 µm / ISO13385-1
 > 150 mm : 30 µm / ISO13385-1

²⁾ Ø4-25 : 20 µm / ISO13385-1
 Ø26-150 : 30 µm / ISO13385-1
 >Ø150 : 40 µm / ISO13385-1